

Pin & Slat

PS107 – Single 7.5" Belt

PS110 – Single 10" Belt

PS112 – Single 12" Belt

PS207 – Dual 7.5" Belt

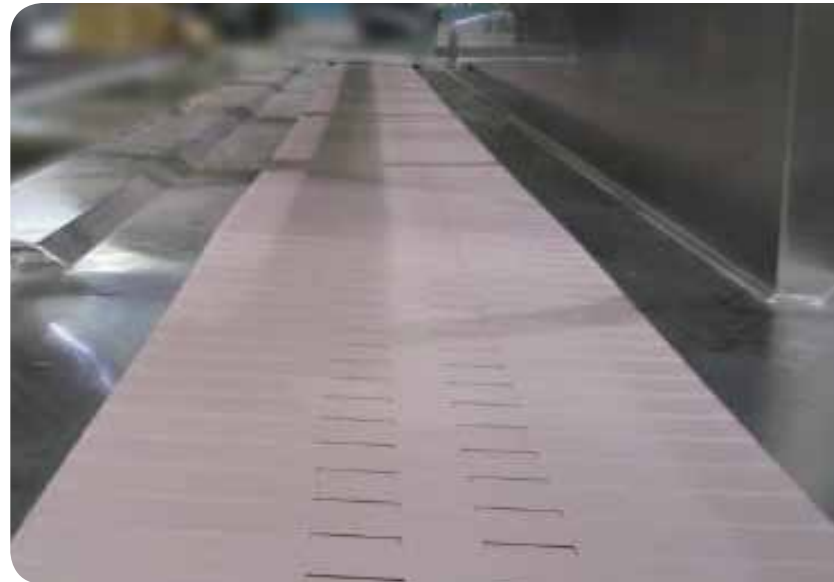
PS210 – Dual 10" Belt

STANDARD FEATURES

- Manufactured in USA
- **Tray and Tray-less application**
- UHMW guides support the belt on the top and bottom side
- All 304 stainless steel construction with a #4 finish
- Slats are joined with 1/4" diameter pin with 1,866 lbs. of breaking strength. Slats are made of LF – Actual Polymer
- Belt wash system with removable scrap basket
- TEFC 1/2 horsepower drive motor with IP65 listing
- Stainless steel drip pans run the length of the belt to catch any falling debris
- Adjustable speed control through AC inverter in a NEMA 4 control cabinet
- Long runs available on single drive motor, however multiple drives can be used to increase the distance traveled
- Unit supported on 1-5/8" diameter 16 gauge wall polished stainless steel tubular legs with *fully welded* 1-5/8" cross bracing
- Multiple belt colors available
- Low Amp draw – requires only 15 Amp breaker with 208/60/1
- **Exclusive Bi-Line design**

EXCLUSIVE BELT DESIGN

Our pin and slat belt is designed for tray or tray-less applications. The pinned slats create a flat surface ideal for loose ware. This belt design is excellent for drop off windows or bussing conveyors. The belt also has increased breaking strength of over 1,000 lbs.



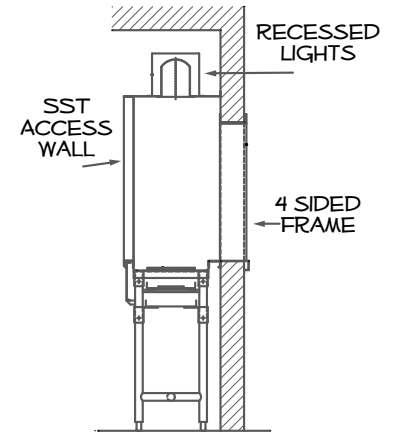
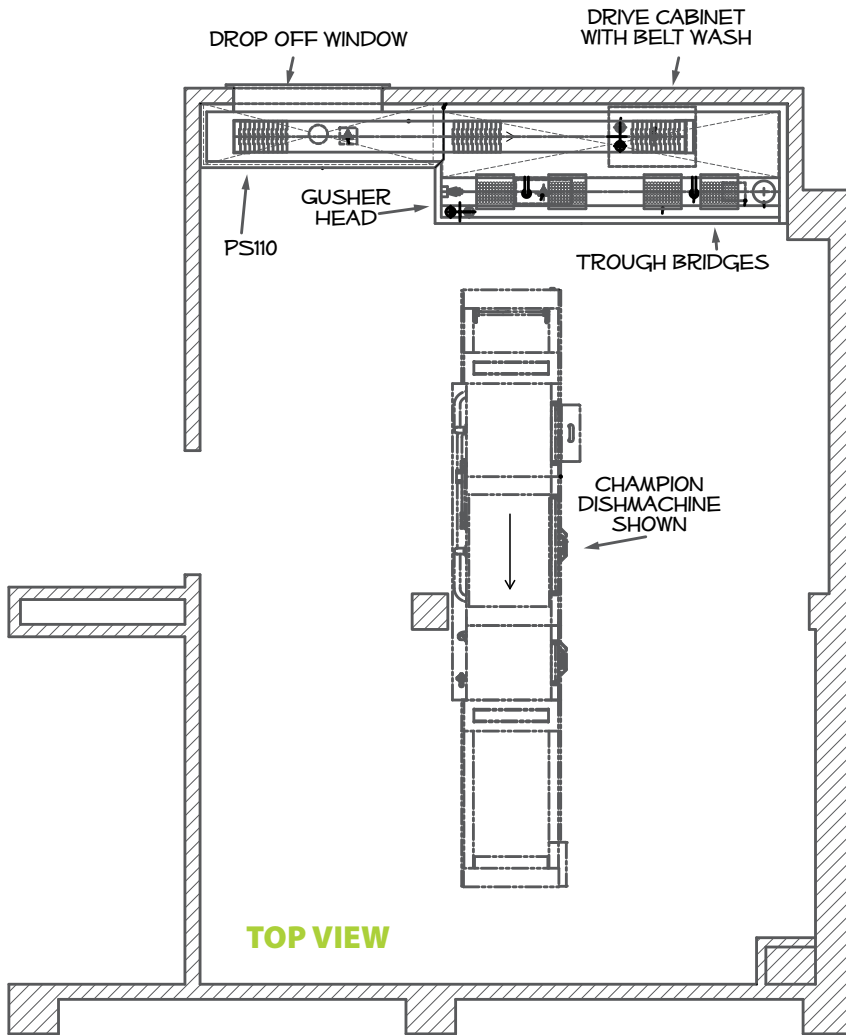
SPECIFIER STATEMENT

Every system is designed, built and tested by the same team, ensuring the highest quality. The Bi-Line Pin and Slat Belt utilizes a linked pin design that is great for straight run tray-less applications. UHMW plastic guides increase the belt and tabling's life, while a standard belt wash system will help keep the belt clean. A variable speed control is standard in a NEMA 4 rated control panel.

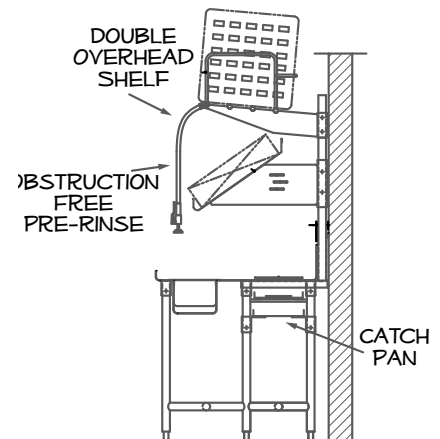
PS107 – Single 7.5" Belt
 PS110 – Single 10" Belt
 PS112 – Single 12" Belt

PS207 – Dual 7.5" Belt
 PS210 – Dual 10" Belt

PIN & SLAT SHOWN IN EXAMPLE DROP OFF LAYOUT



SIGHT SOUND BARRIER DROP OFF



SIDE VIEW

Note: Dimensions are custom to order
 Custom P/E drawings are done for each system

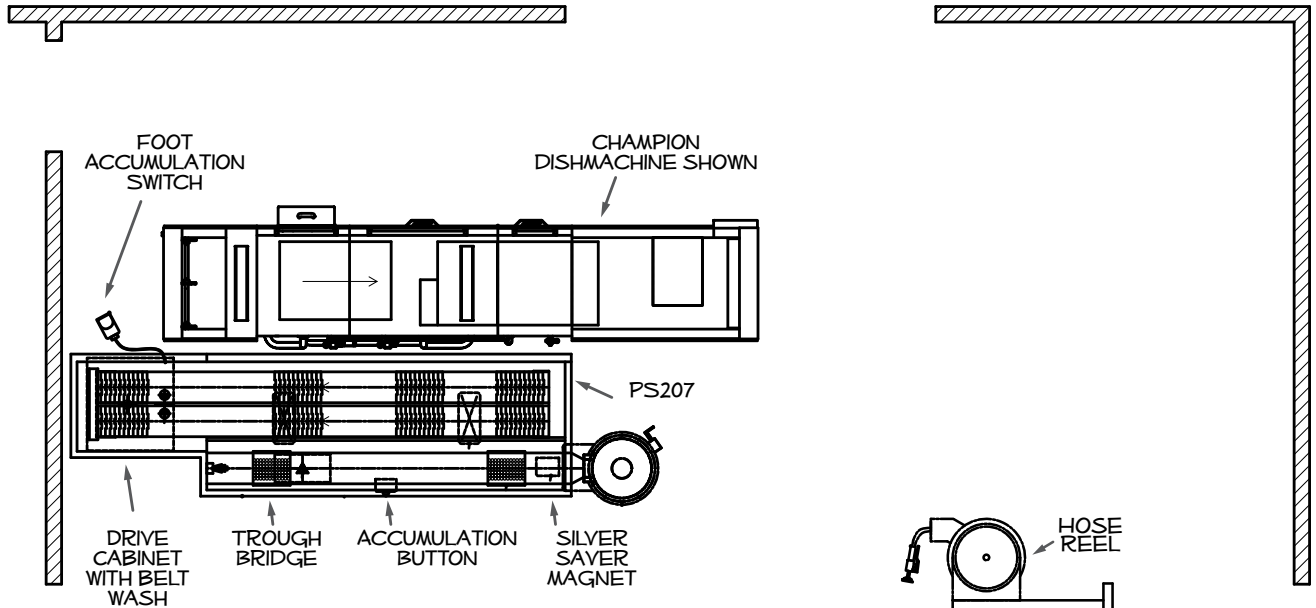
TYPICAL FULL LOAD AMPS SHOWN

| Voltage | Rated Amps | Minimum Supply Ckt. Conductor Ampacity | Maximum Overcurrent Protective Device |
|--------------|------------|--|---------------------------------------|
| 208-240/60/1 | 5 | 15 | 15 |
| 208-240/60/3 | 4 | 15 | 15 |
| 480/60/3 | 2 | 15 | 15 |
| 120/60/1 | 5 | 15 | 15 |

Subject to change on P/E.

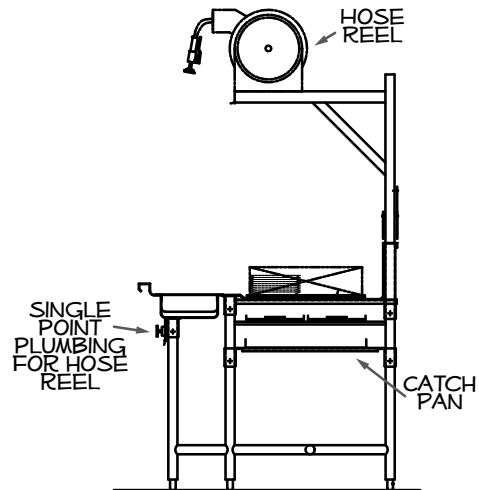


PIN & SLAT SHOWN IN BUSING CONVEYOR DESIGN



TOP VIEW

Note: Dimensions are custom to order
Custom P/E drawings are done for each system



SIDE VIEW

TYPICAL FULL LOAD AMPS SHOWN

| Voltage | Rated Amps | Minimum Supply Ckt. Conductor Ampacity | Maximum Overcurrent Protective Device |
|--------------|------------|--|---------------------------------------|
| 208-240/60/1 | 5 | 15 | 15 |
| 208-240/60/3 | 4 | 15 | 15 |
| 480/60/3 | 2 | 15 | 15 |
| 120/60/1 | 5 | 15 | 15 |

Subject to change on P/E.

OPTIONS & ACCESSORIES

- Custom size and shape per plan
- Single over-shelf
- Double over-shelf
- Hip/Palm advance button
- Foot advance switch
- Integral trough
- Mobile tables
- Pre-rinse sink with rinse spray
- Sliding work shelves
- Limit switch – mechanical
- Limit switch – photo eye
- Seismic bolt down feet
- Extra length of belt
- Mobile soak sink
- Laminated or stainless steel panels for exposed belt at customer drop off
- Sight and sound barrier with recessed lights
- Skate wheels (for trough)
- Wash down hose with reel
- Trough magnets
- Trough bridges
- Disposer cover for trough
- Obstruction free pre-rinse stations
- Trough, silver saver, sink



Pin & Slat belt with UHMW guides



PS110 belt return support



Control panel with variable speed control